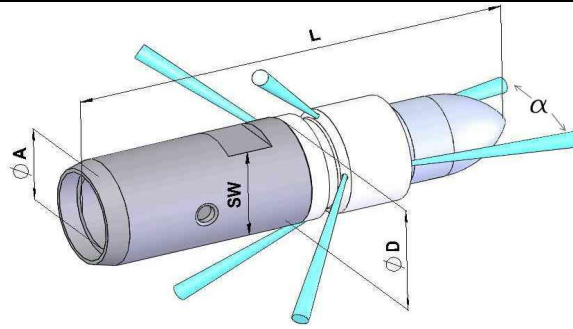


# SISFBB-Rotor



D mm	L mm	SW mm	a	A	Artikel-Nr. / part-no.		max. A.T. max.W.P. bar / PSI	
								
10	46	8	10°	M7x1F	●	5710138275113	5710138275120	1000/15.000
				1/16"NPTF	●	5710138275137	5710138275144	
				1/16"UNFMPLHF	○			1500/21.500
				1/16"UNFMPRHF	○			
11	48	8		5/16"UNFM	○	5710138275151	5710138275168	1000/15.000
				M8x1F	○	5710138275175	5710138275182	
12	48	10		1/8"NPTF	●	5710138275199	5710138275205	1250/18.000
				1/8"BSPF	●	5710138275212	5710138275229	
	3/8"UNFMPLHF			○	5710138275236	5710138275243	1500/21.500	
	3/8"UNFMPRHF			○	5710138275250	5710138275267		
13	48	ingen / none		1/8"NPTF	●	5710138275274	5710138275281	1250/18.000
				1/8"BSPF	●	5710138275298	5710138275304	
	3/8"UNFMPLHF			○	5710138275311	5710138275328	1500/21.500	
	3/8"UNFMPRHF			○	5710138275335	5710138275342		
15	53	13		M10x1F	○	5710138275359	5710138275366	1000/15.000
16	53			1/8"BSPF	●	5710138275373	5710138275380	
18	57	16	1/4"NPTF	●	5710138275397	5710138275403		
			1/4"BSPF	●	5710138275410	5710138275427		
			9/16"UNFMPLHF	○	5710138275434	5710138275441	1500/21.500	
			9/16"UNFMPRHF	○	5710138275458	5710138275465		
20	60	17	M14x1F	○	5710138275472	5710138275489	1000/15.000	
22	66	19	1/4"BSPF	●	5710138275496	5710138275502		
			3/8"NPTF	●	5710138275519	5710138275526		
			3/8"BSPF	●	5710138275533	5710138275540		
28	74	25	1/4"BSPF	●	5710138275557	5710138275564	1250/18.000	
	78		1/2"NPTF	●	5710138275571	5710138275588		
	82	26	1/2"BSPM	●	5710138275595	5710138275601		
		25	3/8"BSPM	●	5710138275618	5710138275625		
	M22x1.5M		●	5710138275632	5710138275649			
	M24x1.5M		●	5710138275656	5710138275663			
74		M10x1F	○	5710138275670	5710138275687			
40	94	ingen / none	M24x1.5F	●	5710138275694	5710138275700	1250/18.000	
	110		1/4"BSPF	●	5710138275717	5710138275724		
		1/4"BSPM	●	5710138275731	5710138275748			
		3/8"BSPM	●	5710138275755	5710138275762			
	112	27	1/2"BSPM	●	5710138275779	5710138275786		
	86	ingen / none	M10x1F	○	5710138275793	5710138275809		
			M22x1.5M	●	5710138275816	5710138275823		
			M24x1.5M	●	5710138275830	5710138275847		
118	27							

Andre gevind efter forespørgsel / Other connections available on request.  
M = Han-gevind / Male thread - F = Hun-gevind / Female thread

●	Standard
○	Special